

# POP®



## ProSet™ 1600

Great power in a reliable,  
lightweight and compact rivet tool

### Features & Benefits:

- **Ergonomic**  
Lightweight polymer construction  
Comfortable two finger, low activation force trigger  
Directionable air exhaust
- **Performance**  
High force-to-weight ratio  
Quick disconnect nose housing  
Quick disconnect jaw case  
Quick disconnect Mandrel Collector
- **Economy**  
Conserve energy, On/Off, left or right swivel air fitting
- **Adaptability**  
Capable of setting 2.0 mm Micro Rivets  
Extended 5" long front end for extra reach  
POP® Rivet Presenter (RP) compatible

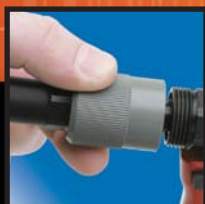
The ProSet™ 1600 is among the highest force-to-weight ratio blind riveting tools in the industry. In addition to its compact design, the comfortable, small rounded grip reduces user fatigue and increases ability to manoeuvre in tight spaces.

The ProSet™ 1600 will keep your production lines running at full speed. Thanks to the innovative quick disconnect nose housing, the front end components can be serviced in minutes - without tools. With the 1600 Mandrel Collection System (MCS) model, spent mandrels are instantly collected, and with the quick disconnect system, disposal takes no time, keeping work areas safe and clean with minimal downtime.

This ProSet™ 1600 model also features an innovative left or right, On/Off swivel air fitting providing additional flexibility, conserving energy and reducing operating costs. The 1600 will set 2.0 mm Micro Rivets, 2.4mm and 3.2mm diameter rivets in all materials and up to 4.0mm all steel open end rivets.



Lightweight and comfortable to operate

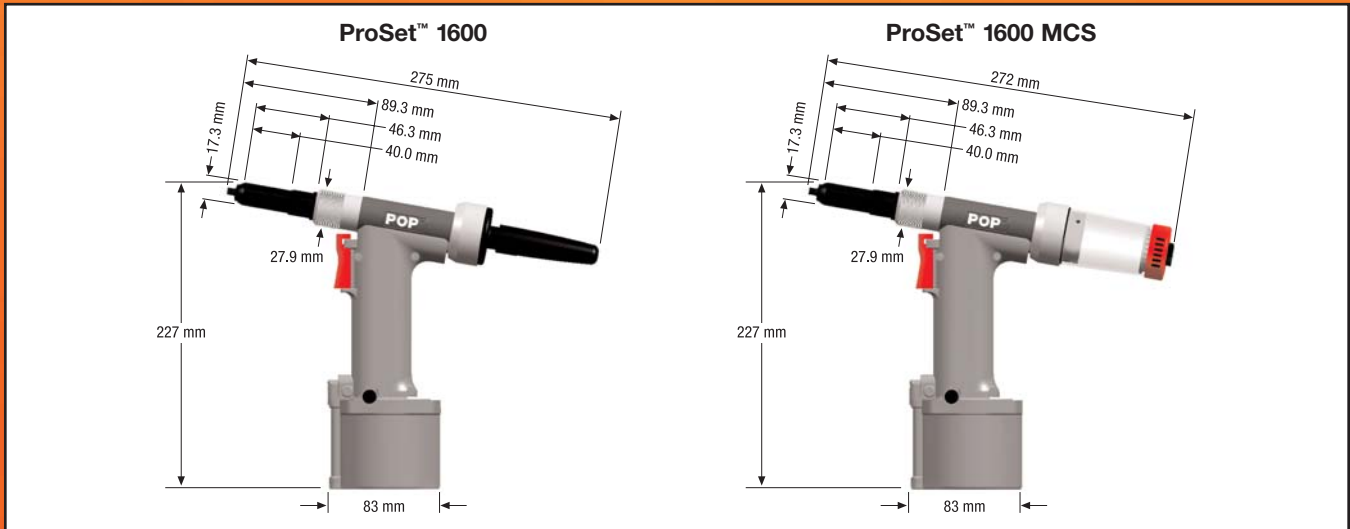


Quick disconnect Nosehousing



Quick disconnect Jaw Guide technology

# POP<sup>®</sup> ProSet™ 1600 Riveting System



Specifications	ProSet™ 1600	ProSet™ 1600 MCS
Weight	0.97 kg	1.04 kg
Length	275 mm	272 mm
Height	227 mm	227 mm
Tool Stroke	18 mm	18 mm
Working pressure	5.0 - 6.9 bar	5.0 - 6.9 bar
Pulling force	4850 N @ 6.2 bar	4850 N @ 6.2 bar
Force/Weight ratio	5 kN/kg	4.6 kN/kg
Air consumption	1.22 litres/rivet	70 litres/min (max)

## Rivet Capacity

Rivet Type	Material (Body-Mandrel)	Rivet Diameter		
		2.4 mm (*)	3.0-3.2 mm	4.0 mm
Open End & Multi-Grip	Aluminium-Aluminium	✓	✓	✓
	Aluminium-Steel or St. Steel (**)	✓	✓	✓
	Steel-Steel	✓	✓	✓(†)
	St. Steel-St. Steel; Monel-steel or St. Steel	✓	✓	
Closed End	Aluminium-Aluminium	✓	✓	✓
	Aluminium-Steel or St. Steel	✓	✓	✓(†)
	Copper-Steel	✓	✓	
	Steel-Steel	✓	✓	
	St. Steel-St. Steel	✓	✓	
LSR Rivets	Aluminium-Aluminium	✓	✓	✓
HR™ Rivets	Steel-Steel	✓	✓	
"T" Rivet	Aluminium-Steel	✓	✓	✓
Self Plugger	Steel-Steel	✓	✓	
MCS Collector Capacity (No. of Mandrels)		300	120	90

(\*) Use FAN239-176 Jaw pusher set up (†) Excludes MultiGrip (‡) Set air pressure at 6.2 bar  
 (\*\*) St. Steel - Stainless Steel

## Optional Accessories

Part Number	Description
PRN214	Nosepiece for 2.0 mm Micro Rivets
PRG402-02	Jaws for 2.0 mm Micro Rivets
FAN239-174	Front End 5" Length Extension Kit
FA203-408	Adapter Kit for MCS5000 (remote MCS)
FAN239-177	MCS Retrofit Kit - Convert 1600 Model



Insist in Genuine POP<sup>®</sup> Rivets



Extended nose housing

## Emhart Teknologies

177 Walsall Road, Perry Barr  
 Birmingham, B42 1BP, UK

Please call our Customer Service Team on:

Tel: +44 (0) 121 331-2460

Fax: +44 (0) 121 356-1598

**Emhart<sup>®</sup>  
 Teknologies**  
 POP<sup>®</sup>

www.emhart.com

A  BLACK & DECKER COMPANY